

Nominal data

Type	8312 GM	
Nominal voltage	VDC	12
Nominal voltage range	VDC	6 .. 15
Speed	min ⁻¹	3000
Power input	W	1.8
Min. ambient temperature	°C	-20
Max. ambient temperature	°C	75
Air flow	m ³ /h	48
Sound power level	B	5.0
Sound pressure level	dB(A)	34

ml = Max. load · me = Max. efficiency · fa = Running at free air · cs = Customer specs · cu = Customer unit
Subject to alterations

8312 GM

DC axial compact fan

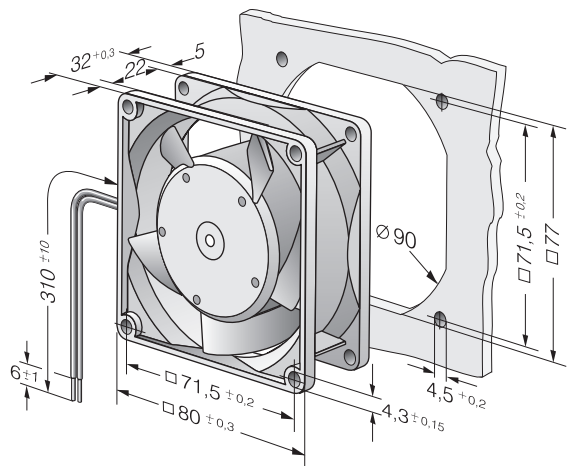
Technical features

Mass	0.170 kg
Dimensions	80 x 80 x 32 mm
Material of impeller	Fiberglass-reinforced PA plastic
Housing material	Fiberglass-reinforced PBTP plastic
Direction of air flow	Air exhaust over bars
Direction of rotation	Right, looking at rotor
Bearing	Sintec sleeve bearing system
Lifetime L10 at 40 °C	70000 h
Lifetime L10 at maximum temperature	30000 h
Connection line	2 single strands AWG 22, TR 64
Motor protection	Reverse-polarity protected. The fan runs only if the polarity is correct.
Locked-rotor protection	Blocking and overload protection
Approval	VDE, CSA, UL, CE
Option	Vario-Pro

8312 GM

DC axial compact fan

Product drawing



Charts: Air flow

